

Anti-Rotational Connectors

“No-turn” design keeps connector securely in place — even under vibration.

Anti-Rotational Connectors

Blackburn® Anti-Rotational Connectors are designed with a rib on the bottom that keeps the connectors from turning, so there's no need to apply excessive torque and there's no danger of loosening connectors.

The unique “no-turn” rib provides a secure connection that eliminates the conductor pinching that results from connector movement.

The “no-turn” design solves a unique problem for electricians and installers. Larger conductors tend to get damaged in over-torque conditions, and connectors are prone to loosen in applications where there is vibration, such as motor loads.

Inspectors and local standards boards are requiring electricians and installers to make provisions to eliminate these conditions, and Blackburn® Anti-Rotational Connectors are the solution.

- Unique bottom rib keeps connector from turning
- Eliminates the need for excessive torque, which can damage large conductors
- Prevents connector loosening, even in heavy-vibration applications



Connectors & Grounding — Blackburn® Mechanical Connectors

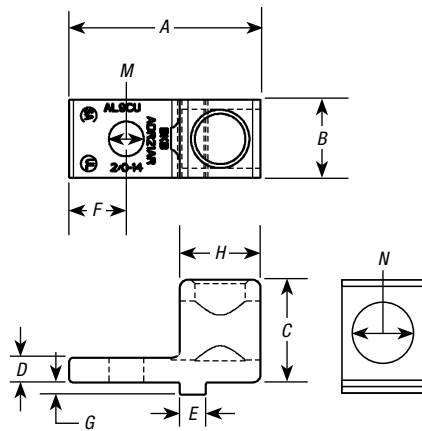


Fig. 1

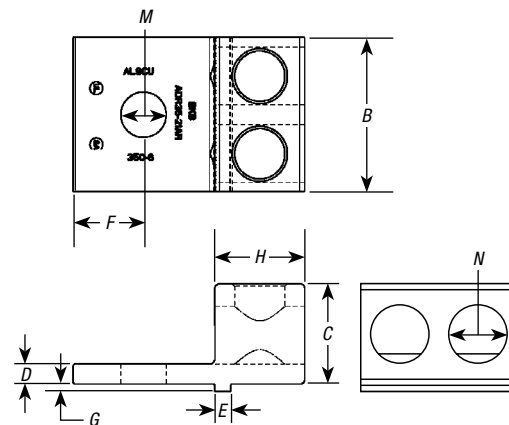


Fig. 2



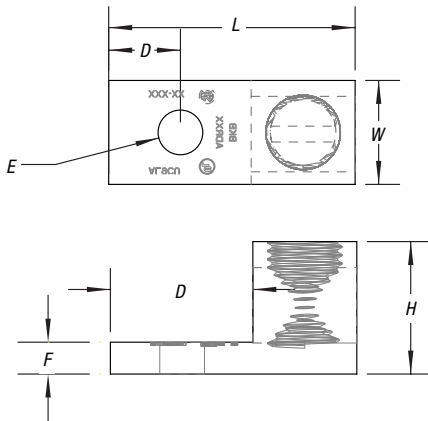
CAT. NO.	WIRE RANGE	BOLT HOLE (IN.)	DIMENSIONS										FIG.
			A	B	C	D	E	F	G	H	M	N	
ADR21-AR	2/0-14 AWG	¼	1.470	.600	.790	.190	.200	.438	.094	.620	.267	.453	1
ADR30-AR	300 kcmil-6 AWG	⅞	2.000	1.000	1.120	.250	.200	.468	.094	1.000	.330	.656	1
ADR35-AR	350 kcmil-6 AWG	⅞	2.250	1.120	1.125	.250	.200	.485	.094	1.120	.408	.719	1
ADR60-AR	600 kcmil-2 AWG	½	3.120	1.500	1.560	.440	.200	.720	.094	1.380	.408	.938	1
ADR35-21-AR	350 kcmil-6 AWG	¾	2.880	1.500	1.250	.250	.200	.875	.094	1.120	.563	.719	2
ADR60-21-AR	600 kcmil-2 AWG	½	3.120	2.400	1.560	.440	.200	.555	.094	1.380	.531	.938	2

Dual-Rated Mechanical Connectors

All-aluminum-body lugs for use on copper and aluminum conductors.

- Easy installation — no special tools required
- Tin plated for low contact resistance
- UL® 486B tested, AL9CU rated
- Slotted screw on lugs up through 2/0 str.; 5/16" socket screw on sizes 250 through 350 kcmil; 3/8" hex socket on sizes 500 kcmil and above

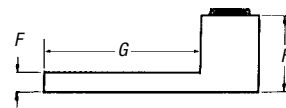
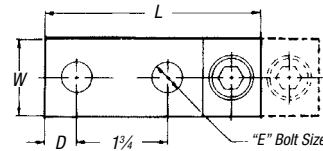
Type ADR— ALCÜL™ Single-Conductor, One-Hole Mount*



CAT. NO.	CONDUCTOR RANGE (AL OR CU)		DIMENSIONS (IN.)						
	MAX.	MIN.	L	W	H	D	E	F	G
Slotted Screw									
ADR6	#6 Str.	#14	1 3/64	1/2	3 1/64	1 5/64	1/4	5/64	4 3/64
ADR2	#2 Str.	#14	1 1/32	1/2	9/16	1 9/64	1/4	7/64	1 1/16
ADR11	1/0 Str.	#14	1 13/32	5/8	2 5/32	7/16	1/4	3/16	2 1/32
ADR21	2/0 Str.	#14	1 13/32	5/8	2 5/32	7/16	1/4	3/16	2 1/32
Socket Screw									
ADR25	250	#6 Str.	2	1	1 1/8	1 5/32	5/16	1/4	1
ADR30	300	#6 Str.	2	1	1 1/8	1 5/32	5/16	1/4	1
ADR35	350	#6 Str.	2 1/4	1 1/8	1 1/4	1/2	3/8	1/4	1 1/8
ADR50	500	#4 Str.	2 3/16	1 1/2	1 1/16	3/4	3/8	5/16	1 13/32
ADR60	600	#2 Str.	3 3/16	1 1/2	1 1/16	1 1/16	3/8	7/16	1 13/16
ADR6004*	600 (2) 250	#4 Str. (2) 1/0 Str.	2 3/16	1 3/8	1 13/16	5/8	3/8	5/16	1 1/2
ADR80	800	300	3 3/8	1 3/4	1 15/16	5/8	5/8	1/2	1 3/4
ADR99	1000	500	3 3/8	1 3/4	1 15/16	5/8	5/8	1/2	1 3/4

* Not UL Listed or CSA Certified.

Type ADR— ALCÜL™ Single-Conductor, Two-Hole Mount*



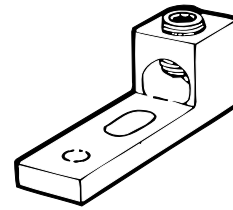
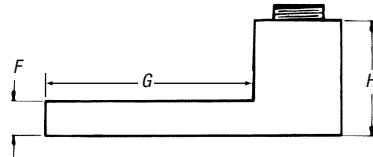
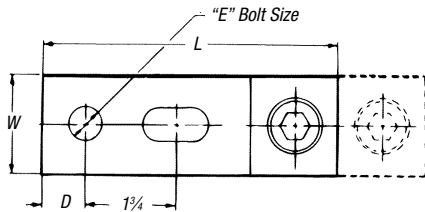
CAT. NO.	CONDUCTOR RANGE (AL OR CU)		DIMENSIONS (IN.)						
	MAX.	MIN.	L	W	H	D	E	F	G
ADR35-12#	350 kcmil	6 Str.	4 1/4	1 1/4	1 1/8	5/8	1/2	5/16	3
ADR60-12D	600 kcmil	2 Str.	5 5/16	1 1/2	1 1/2	5/8	1/2	3/8	3 1/16
ADR80-12D	800 kcmil	300 kcmil	6 3/16	1 3/4	1 1/8	5/8	1/2	5/16	3 1/16
ADR99-12D	1,000 kcmil	500 kcmil	6 3/16	1 3/4	1 1/8	5/8	1/2	5/16	3 1/16

* NEMA spacing: 1 1/4" centers

UL Listed. Connectors accommodating conductors 600 kcmil and larger have double row of set screws (D suffix).

Dual-Rated Mechanical Connectors

Type ADR — ALCÜL™ Single-Conductor, Switchgear Mount*

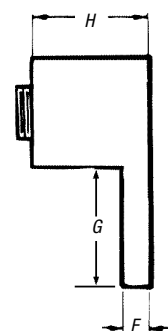
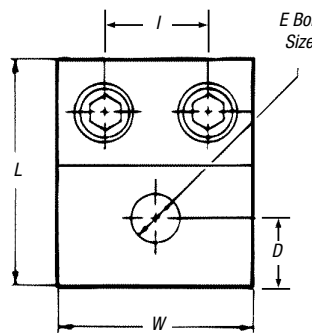


CAT. NO.	CONDUCTOR RANGE (AL OR CU)		DIMENSIONS (IN.)						
	MAX.	MIN.	L	W	H	D	E	F	G
ADR25-12S	250 kcmil	3/0 Str.	3	1	1 ⁵ / ₁₆	1/2	3/8	1/4	2
ADR35-12S	350 kcmil	4 Str.	4 ¹ / ₁₆	1 ¹ / ₄	1 ¹ / ₁₆	2 ³ / ₃₂	1/2	7/16	3 ³ / ₁₆
ADR50-12S	500 kcmil	400 kcmil	4 ¹ / ₁₆	1 ¹ / ₄	1 ¹ / ₁₆	2 ³ / ₃₂	1/2	7/16	3 ³ / ₁₆
ADR80-12DS	800 kcmil	300 kcmil	6 ³ / ₁₆	1 ⁵ / ₈	1 ¹ / ₈	2 ³ / ₃₂	1/2	9/16	3 ³ / ₁₆
ADR99-12DS	1,000 kcmil	350 kcmil	6 ³ / ₁₆	1 ⁵ / ₈	1 ¹ / ₈	2 ³ / ₃₂	1/2	9/16	3 ³ / ₁₆

* NEMA Spacing: 1¹/₄" centers except ADR25-12S: 1" centers.

Connectors accommodating conductors 600 kcmil and larger have double row of set screws (D suffix).

Type ADR — ALCÜL™ Two-Conductor, One-Hole Mount



CAT. NO.	CONDUCTOR RANGE (AL OR CU)		DIMENSIONS (IN.)							
	MAX.	MIN.	L	W	H	D	E	F	G	I
ADR11-21	1/0 Str.	#14	1 ¹ / ₃₂	1 ¹ / ₃₂	2 ⁵ / ₃₂	1/16	1/4	3/16	2 ¹ / ₃₂	3 ⁵ / ₆₄
ADR21-21*	2/0 Str.	#14	1 ¹ / ₃₂	1 ¹ / ₄	2 ⁵ / ₃₂	2 ⁷ / ₆₄	1/4	3/16	2 ¹ / ₃₂	2 ¹ / ₃₂
ADR25-21	250	#6 Str.	2 ⁷ / ₁₆	1 ⁴ / ₆₄	1 ¹ / ₁₆	7/8	3/8	1/4	1 ¹ / ₁₆	1 ³ / ₁₆
ADR35-21	350	#6 Str.	2 ⁷ / ₁₆	1 ⁵ / ₆₄	1 ¹ / ₄	7/8	1/2	1/4	1 ¹ / ₄	6 ¹ / ₆₄
ADR60-21	600	#2 Str.	3 ³ / ₁₆	2 ¹³ / ₃₂	1 ¹ / ₁₆	5/8	1/2	7/16	1 ¹³ / ₁₆	1 ¹ / ₃₂
ADR80-21	800	300	3 ³ / ₁₆	3 ³ / ₁₆	1 ¹⁵ / ₁₆	7/8	5/8	1/2	1 ³ / ₄	1 ⁵ / ₈
ADR99-21	1000	500	3 ³ / ₁₆	3 ³ / ₁₆	1 ¹⁵ / ₁₆	7/8	5/8	1/2	1 ³ / ₄	1 ⁵ / ₈

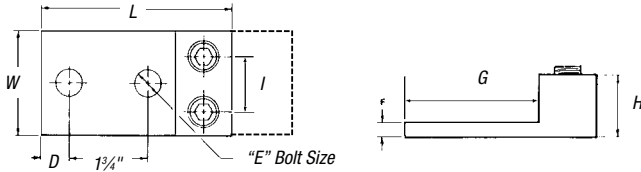
* Not CSA Certified.

UL 486B

AL9CU

Dual-Rated Mechanical Connectors

Type ADR — ALCÜL™ Two-Conductor, Two-Hole Mount*



CAT. NO.	FIG.	CONDUCTOR RANGE (AL OR CU)		DIMENSIONS (IN.)							
		MAX.	MIN.	L	W	H	D	E	F	G	I
ADR35-22	1	350 kcmil	6 Str.	4 1/4	2 1/64	1 3/8	5/8	1/2	5/16	3	1 1/32
ADR60-22D	2	600 kcmil	2 Str.	5 1/16	2 3/4	1 1/2	5/8	1/2	3/8	3 1/16	1 1/16
ADR80-22D	2	800 kcmil	300 kcmil	6 1/16	3 1/2	1 1/8	5/8	1/2	1/4	3 1/16	1 13/16
ADR99-22D	2	1,000 kcmil	500 kcmil	6 1/16	3 1/2	1 1/8	5/8	1/2	1/16	3 1/16	1 13/16

* NEMA Spacing: 1 1/4" centers.

Connectors accommodating conductors 600 kcmil and larger have double row of set screws (D suffix).

UL 486B, AL9CU

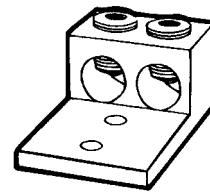


Fig. 1

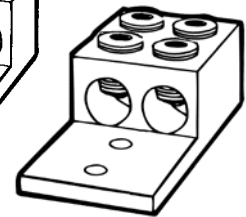


Fig. 2

Type ADR — ALCÜL™ Three-Conductor, Two-Hole Mount*

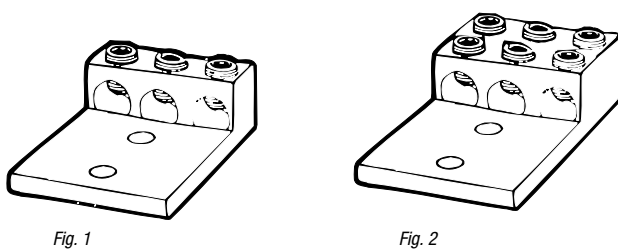


Fig. 1

Fig. 2

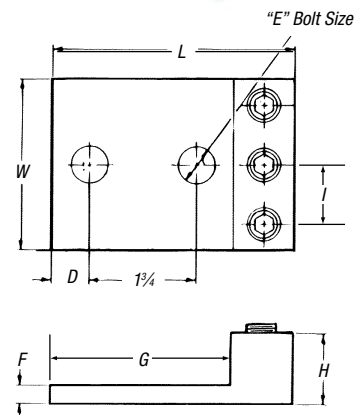


CAT. NO.	FIG.	CONDUCTOR RANGE (AL OR CU)		DIMENSIONS (IN.)							
		MAX.	MIN.	L	W	H	D	E	F	G	I
ADR02-32	1	2 Str.	14 AWG	2 3/16	1 3/8	3/8	1 1/32	5/16	3/16	1 1/16	9/16
ADR11-32	1	1/0 Str.	14 AWG	2 29/64	2	7/8	1 1/32	3/8	1/4	2 7/32	4 5/64
ADR31-32	1	3/0 Str.	6 Str.	4	2 13/16	1 1/8	5/8	1/2	5/16	3	3 1/32
ADR25-32	1	250 kcmil	6 Str.	4 3/16	2 13/16	1 1/4	5/8	1/2	1/4	3 1/16	3 1/32
ADR35-32	1	350 kcmil	6 Str.	4 3/16	3 3/16	1 1/4	5/8	1/2	1/4	3 1/16	1 1/32
ADR50-32	1	500 kcmil	4 Str.	4 11/16	3 3/4	1 1/8	5/8	1/2	7/16	3 1/16	1 1/4
ADR60-32D	2	600 kcmil	2 Str.	5 5/16	4 3/16	1 1/2	5/8	1/2	3/16	3 1/16	1 7/16
ADR80-32	2	800 kcmil	300 kcmil	6 1/16	4 1/2	1 1/8	5/8	1/2	9/16	3 1/16	1 13/16
ADR99-32	2	1,000 kcmil	500 kcmil	6 1/16	4 3/4	1 1/8	5/8	1/2	9/16	3 1/16	1 13/16

* NEMA Spacing: 1 1/4" centers except ADR02-32 (7/8" centers) and ADR11-32 (1" centers).

Connectors accommodating conductors 600 kcmil and larger have double row of set screws (D suffix).

UL 486B, AL9CU



Dual-Rated Mechanical Connectors

Type ADR — ALCÜL™ Three-Conductor, Four-Hole Mount**

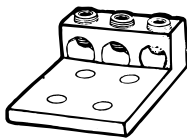


Fig. 1

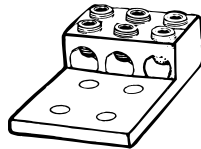


Fig. 2

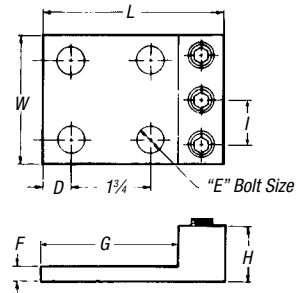


CAT. NO.	FIG.	CONDUCTOR RANGE (AL OR CU)		DIMENSIONS (IN.)								
		MAX.	MIN.	L	W	H	D	E	F	G	I	
ADR02-34	1	2 Str.	14 AWG	2 ³ / ₁₆	1 ⁵ / ₈	5 ¹ / ₈	1 ¹ / ₂	5 ¹ / ₁₆	3 ¹ / ₁₆	1 ¹ / ₁₆	3 ¹ / ₁₆	9 ¹ / ₁₆
ADR11-34	1	1/0 Str.	14 AWG	2 ²⁹ / ₃₂	2	7 ¹ / ₈	1 ¹ / ₂	3 ¹ / ₈	1 ¹ / ₄	2 ⁵ / ₃₂	4 ⁵ / ₆₄	
ADR31-34	1	3/0 Str.	6 Str.	4	2 ¹ / ₁₆	1 ³ / ₁₆	5 ¹ / ₈	1 ¹ / ₂	5 ¹ / ₁₆	3	3 ¹ / ₃₂	
ADR25-34*	1	250 kcmil	6 Str.	4 ¹ / ₁₆	2 ¹ / ₁₆	1 ¹ / ₄	5 ¹ / ₈	1 ¹ / ₂	1 ¹ / ₄	3 ¹ / ₁₆	3 ¹ / ₃₂	
ADR35-34*	1	350 kcmil	6 Str.	4 ¹ / ₁₆	3 ³ / ₁₆	1 ¹ / ₄	5 ¹ / ₈	1 ¹ / ₂	1 ¹ / ₄	3 ¹ / ₁₆	1 ¹ / ₃₂	
ADR50-34*	1	500 kcmil	2 Str.	4 ¹ / ₁₆	3 ³ / ₄	1 ¹ / ₁₆	5 ¹ / ₈	1 ¹ / ₂	7 ¹ / ₁₆	3 ¹ / ₁₆	1 ¹ / ₄	
ADR60-34D	2	600 kcmil	2 Str.	5 ¹ / ₁₆	4 ¹ / ₁₆	1 ¹ / ₂	5 ¹ / ₈	1 ¹ / ₂	3 ¹ / ₈	3 ¹ / ₁₆	1 ¹ / ₁₆	
ADR80-34*	2	800 kcmil	300 kcmil	6 ¹ / ₁₆	4 ¹ / ₂	1 ¹ / ₈	5 ¹ / ₈	1 ¹ / ₂	9 ¹ / ₁₆	3 ¹ / ₁₆	1 ¹ / ₁₆	
ADR99-34*	2	1,000 kcmil	500 kcmil	6 ¹ / ₁₆	4 ³ / ₄	1 ¹ / ₈	5 ¹ / ₈	1 ¹ / ₂	9 ¹ / ₁₆	3 ¹ / ₁₆	1 ⁴ / ₆₄	

* UL Listed.

** NEMA Spacing: 1¹/₄" centers except ADR02-34 (7¹/₈" centers) and ADR11-34 (1" centers).
Connectors accommodating conductors 600 kcmil and larger have double row of set screws.

UL 486B, AL9CU



Type ADR — ALCÜL™ Four-Conductor, Four-Hole Mount*



Fig. 1



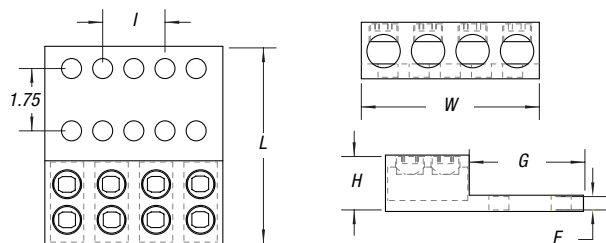
Fig. 2



CAT. NO.	CONDUCTOR RANGE		MOUNTING HOLES				G	F
	MAX.	MIN.	L	W	H			
ADR25-44	250	#6	4.00	4.06	1.19	1.75	3.00	.31
ADR35-44	350	#6	4.31	3.94	1.38	1.75	3.00	.31
ADR60-44D	600	#2	5.50	5.00	1.50	1.75	3.25	.38
ADR80-44D	800	350	5.97	6.00	1.81	1.75	3.63	.50

* NEMA Spacing: 1¹/₄" centers.

Connectors accommodating conductors 600 kcmil and larger have double row of set screws (D Suffix).



Type ASL — ALCÜL™ Two-Conductor, One-Hole Mount



CAT. NO.	CONDUCTOR RANGE (AL OR CU)		DIMENSIONS (IN.)					MTG. HOLE DIA.
	MAX.	MIN.	L	W	H	D	F	
ASL30-21	300 kcmil	6 Str.	3	1 ¹ / ₈	2	1 ⁵ / ₃₂	1 ¹ / ₂	5 ¹ / ₁₆

